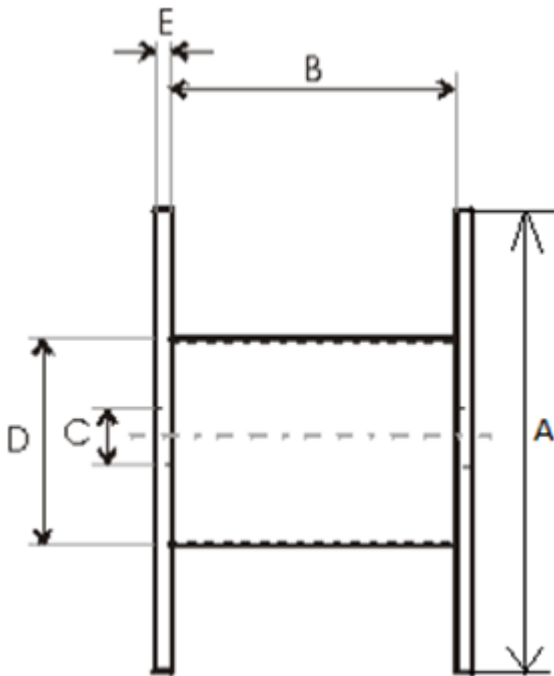


| | |
|--------------|---------------------------|
| Product name | Wooden drum 1830×1060×900 |
| Product code | 1830×1060×900 |
| GTIN | |
| ETIM-Class | EC000245 |



PRODUCT SPECIFICATIONS



Technical Specifications - Drums

| | |
|--------------|-----------------|
| Type of drum | Non-return drum |
| Material | Wood |
| Flange type | Full Flange |

| | |
|----------------------|----------|
| A - Flange Diameter | 1,830 mm |
| B - Inner Width | 1,060 mm |
| C - Barrel hole | 110 mm |
| D - Barrel Diameter | 900 mm |
| E - Flange Thickness | 44 mm |
| Weight | 145 kg |