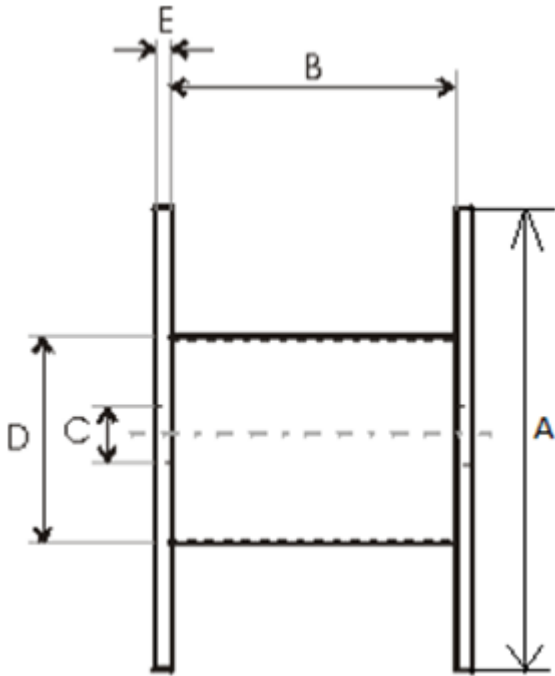


Product name	Wooden drum 900x595x320
Product code	900x595x320
GTIN	
ETIM-Class	EC000245



PRODUCT SPECIFICATIONS



Technical Specifications - Drums

Type of drum	Non-return drum
Material	Wood
Flange type	Full Flange

A - Flange Diameter	900 mm
B - Inner Width	595 mm
C - Barrel hole	110 mm
D - Barrel Diameter	320 mm
E - Flange Thickness	15 mm
Weight	12 kg